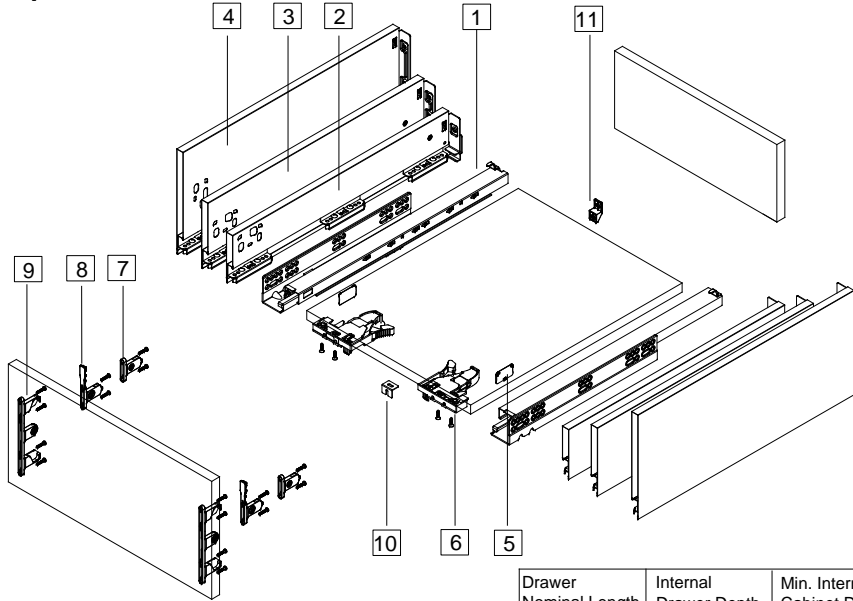




# OPTIMIZ-R (808) Slim Drawer

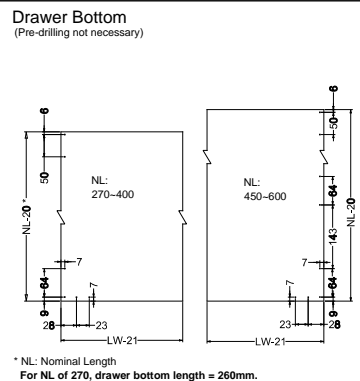
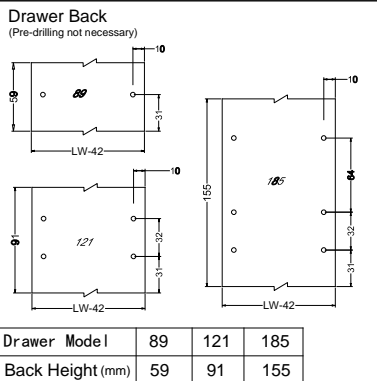
## Components



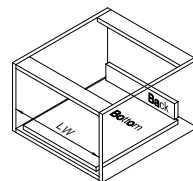
- 1. Series 828 slides
- 2. 89 height drawer sides
- 3. 121 height drawer sides
- 4. 185 height drawer sides
- 5. Side cover cap
- 6. 4-way locking devices
- 7. Front fixing-brackets (89 height)
- 8. Front fixing-brackets (121 height)
- 9. Front fixing-brackets (185 height)
- 10. Bottom fixing - front \*
- 11. Bottom fixing - back \*

Drawer Nominal Length	Internal Drawer Depth	Min. Internal Cabinet Depth
270mm	254mm	285mm
300mm	274mm	305mm
350mm	324mm	355mm
400mm	374mm	405mm
450mm	424mm	455mm
500mm	474mm	505mm
550mm	524mm	555mm
600mm	574mm	605mm

## Drawer Back & Drawer Bottom Dimensions - 16mm panel

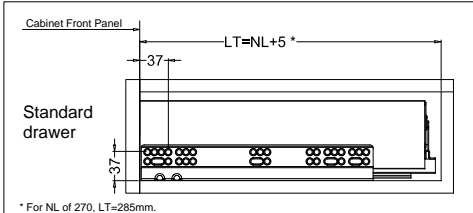


LW Internal cabinet width



## Installation Dimensions (mm)

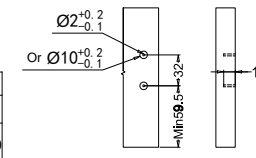
Nominal slide length=NL Internal cabinet depth=LT LW=Internal cabinet width



## Drawer Front Drilling (mm)

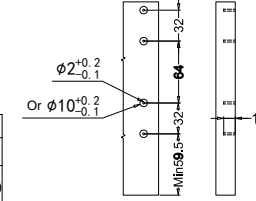
Height 89 / 121

Ø2 x 12	Ø10 x 12
Wood screw	Anchor bolt
⚓ Ø4 x 17	⚓ Ø10.3 x 10

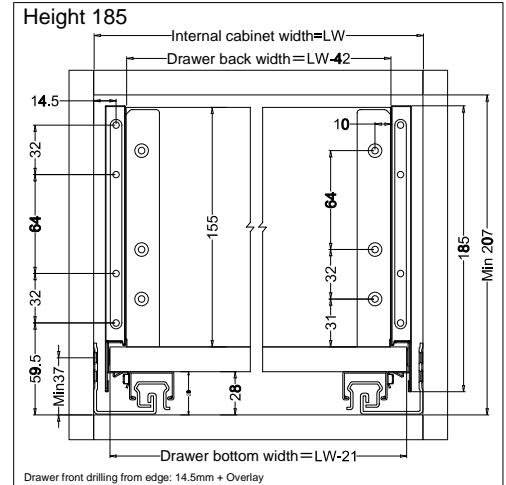
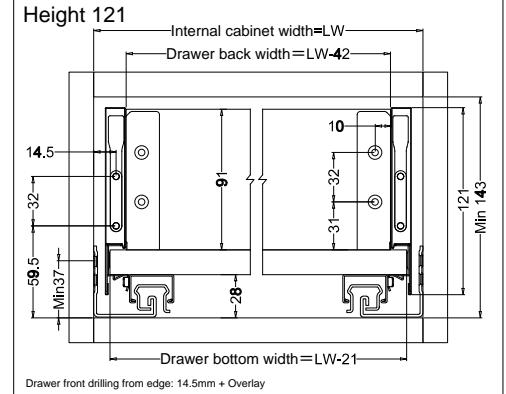
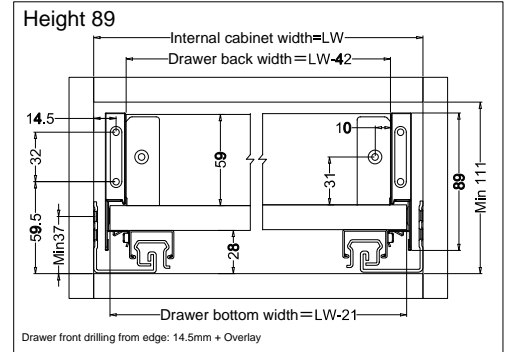
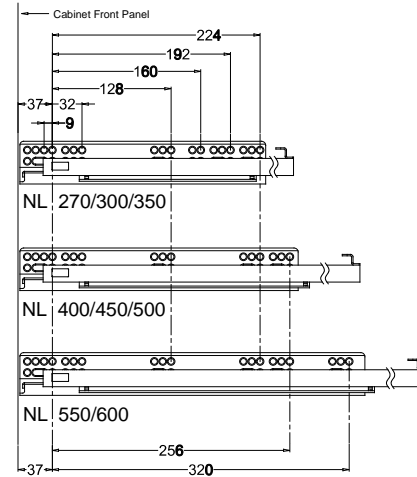


Height 185

Ø2 x 12	Ø10 x 12
Wood screw	Anchor bolt
⚓ Ø4 x 17	⚓ Ø10.3 x 10



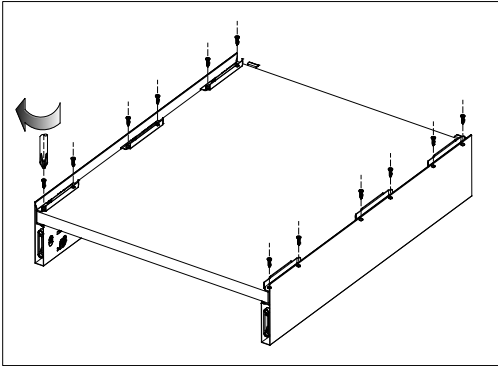
## Slides Hole Pattern



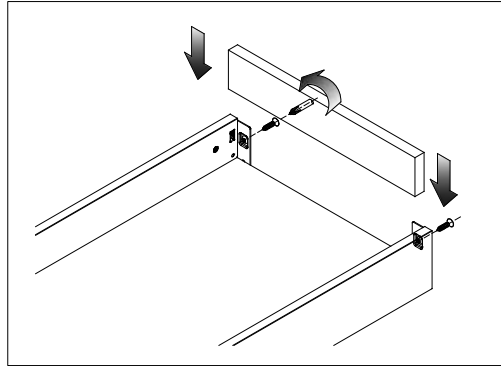
# 808 Slim Drawer



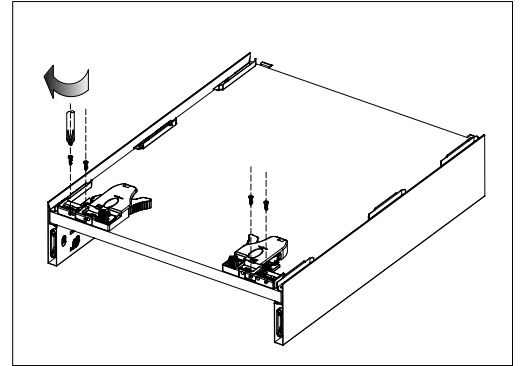
## Drawer Assembly



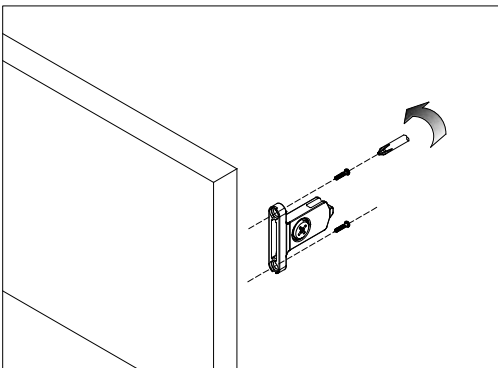
Bottom assembly



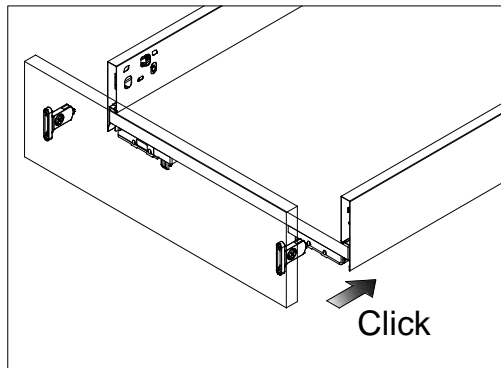
Back assembly



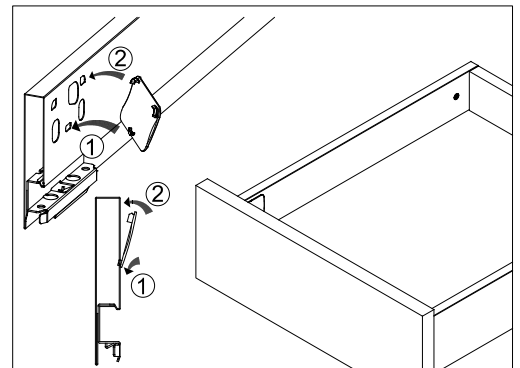
Locking Device assembly



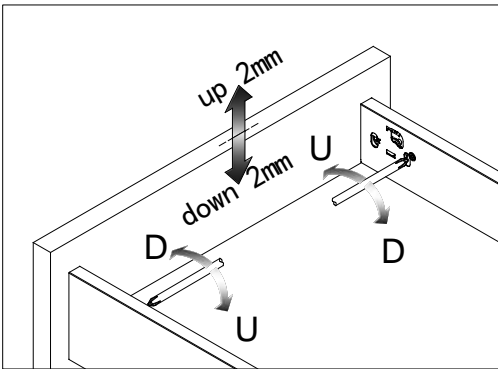
Drawer Front assembly



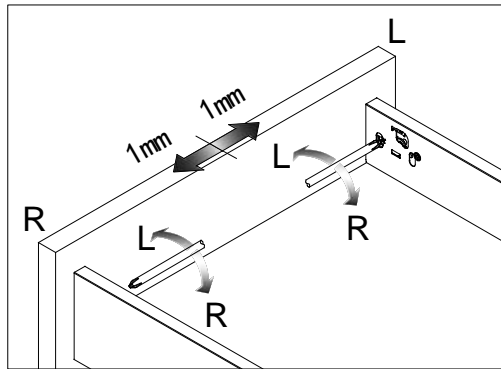
Click



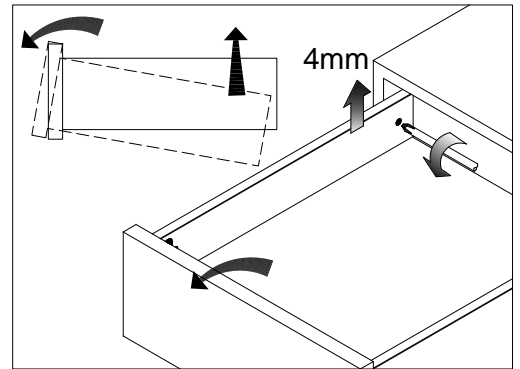
## Drawer Front Adjustments



Up / down adjustment

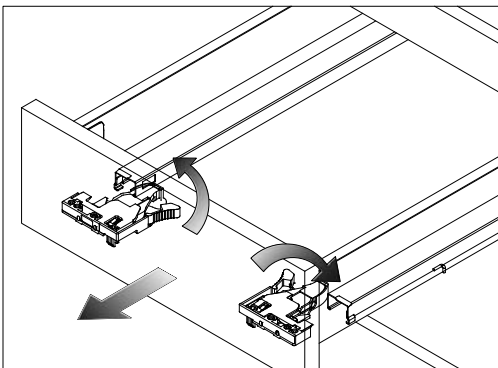


Left / right adjustment

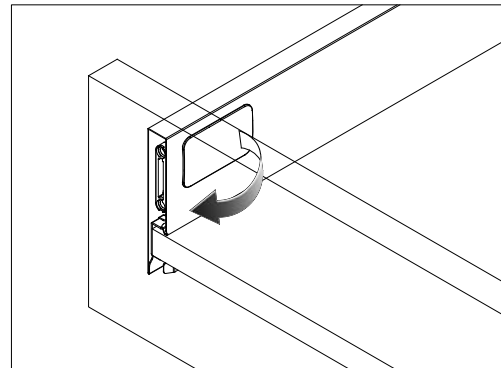


Tilting adjustment

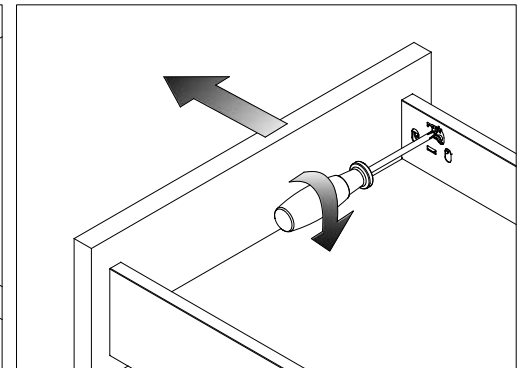
## Disassembly



Remove drawer



Tip up cover cap



Release drawer front